

Specialty Floor Drains

FD-860

Planting Area Drain with Screened Dome



Model Number	Weight (lbs.)	Str. Size	Pipe Size	Strainer	List Price
FD-862, 3, 4	25	8 1/2" Dome	2,3,4"	alum. w/SS mesh	\$930.50

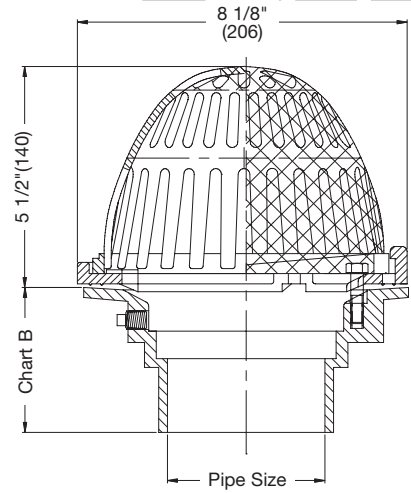


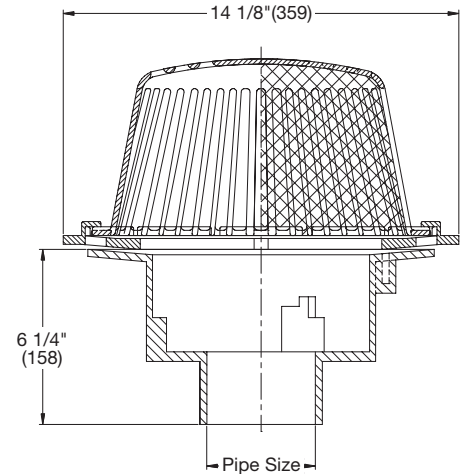
Chart B					
Pipe Size	No Hub	Push On	Female Thread	Inside Caulk	PVC/ABS
2"	3 5/8"	3 5/8"	4 1/4"	4 1/4"	2 3/4"
3"	3 5/8"	4"	4 1/4"	4 1/4"	3 5/8"
4"	3 5/8"	4"	4 1/4"	4 1/4"	3 7/8"
6"	3 1/2"	-	-	-	-

FD-870

Large Planting Area Drain with Screened Dome



Model Number	Weight (lbs.)	Str. Size	Pipe Size	Dome	List Price
FD-872, 3, 4, 6	50	8 1/2" Dome	2,3,4"	alum. w/SS mesh	\$1,090.00



Note: Funnels are ordered separately.
See page 63 for details.

Options for FD-860/870 Series:

Suffix	Description	List Price	Suffix	Description	List Price
None	No Hub	No Add	-13	Galvanized Body and Clamp	\$391.50
P	Push-On Outlet	No Add	-60	PVC Body w/Socket Outlet (2,3,4,6" only)	No Add
T	Threaded Outlet	\$80.00	-61	ABS Body w/Socket Outlet (2,3,4" only)	No Add
X	Inside Caulk Outlet	No Add	-81	Bronze Dome	732.00
-6	Vandal Proof Dome	114.00	-S0	Side Outlet	336.00



Consult factory for all applications outside of listed parameters.
Prices do not include applicable taxes.